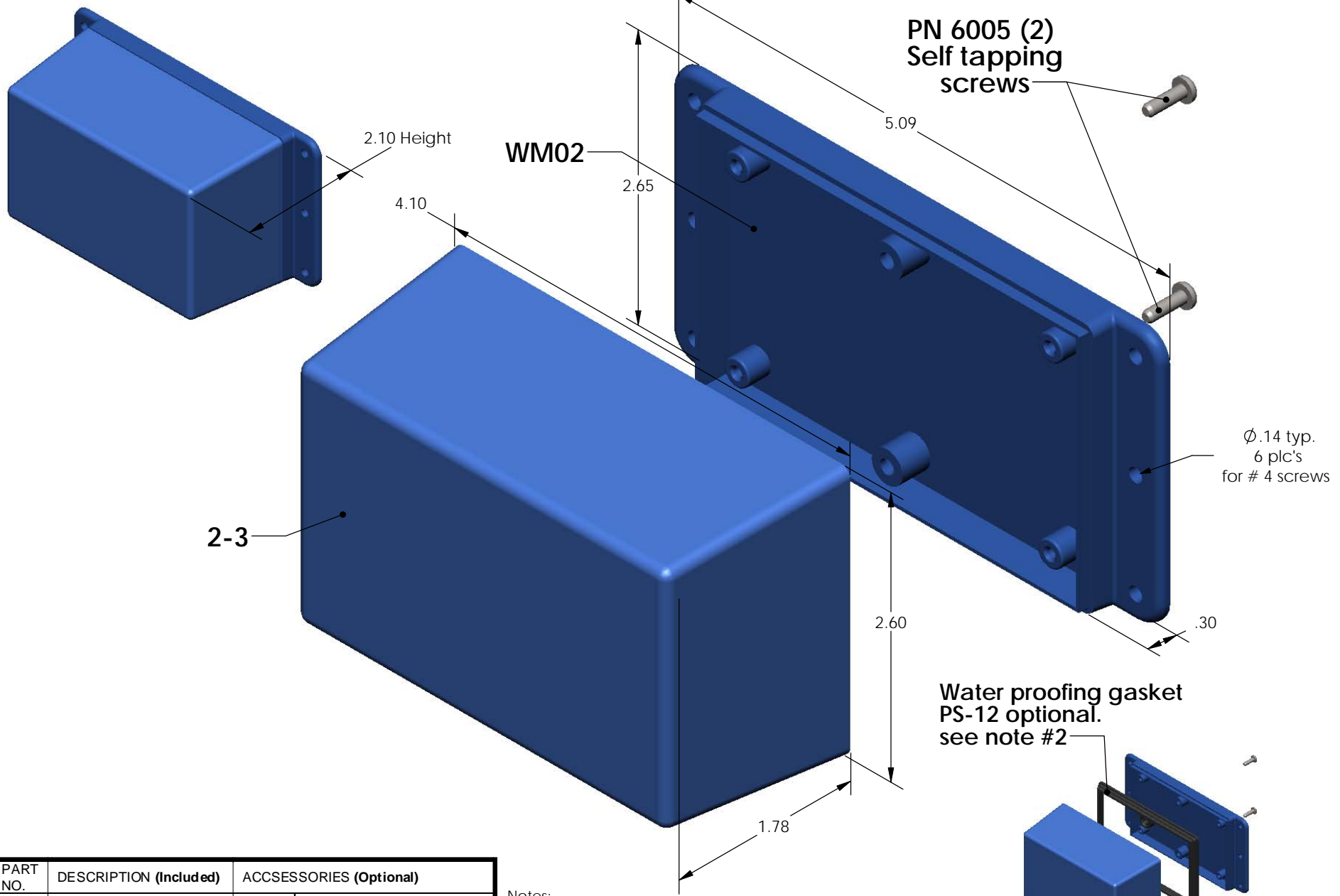


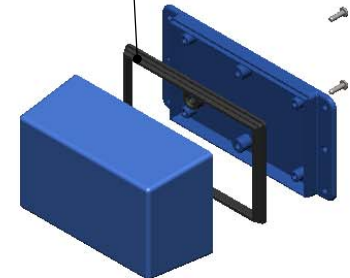
SERPAC WM023 (exploded isometric)

Electronic Enclosures



PART NO.	DESCRIPTION (Included)	ACCESSORIES (Optional)	
		PART NO.	DESCRIPTION
2-3	TOP		
WM02	BOTTOM	PS-12	Perimeter Seal
6005	#4 self tapping screw (2)		

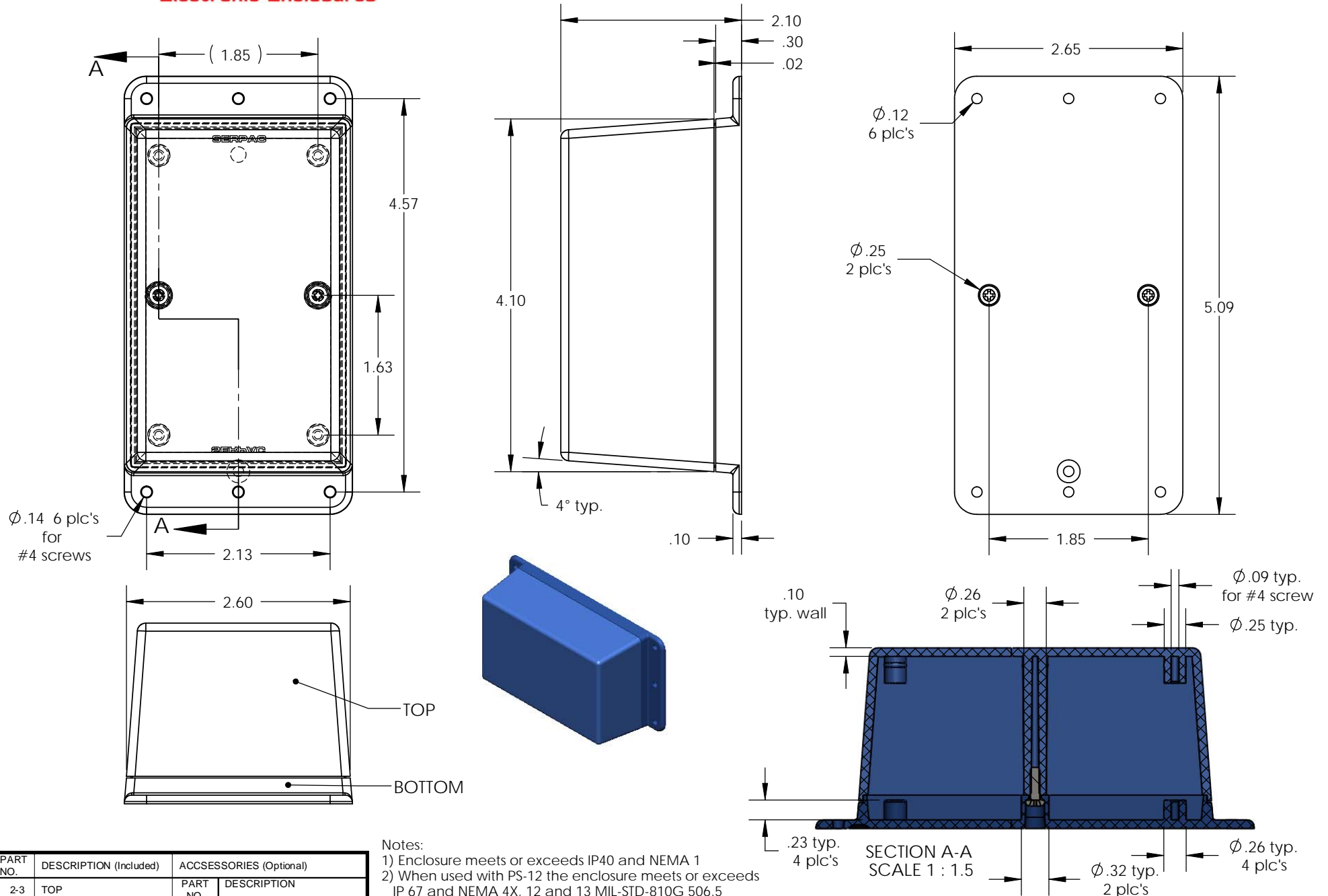
- Notes:
- 1) Enclosure meets or exceeds IP40 and NEMA 1
 - 2) When used with PS-12 the enclosure meets or exceeds IP 67 and NEMA 4X, 12 and 13 MIL-STD-810G 506.5
 - 3) Circuit Board drawings can be download at:
http://www.serpac.com/Products/Accessories/CircuitBoard/drawings/CB_WM023.pdf
 - 4) All components are RoHS Compliant.



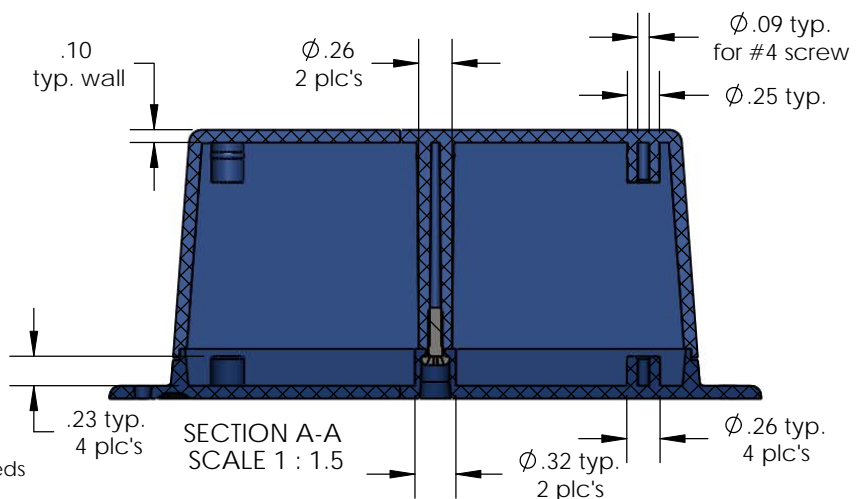
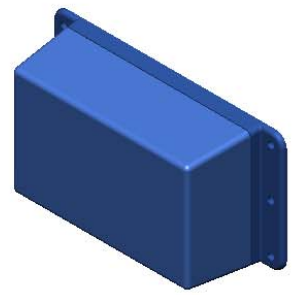
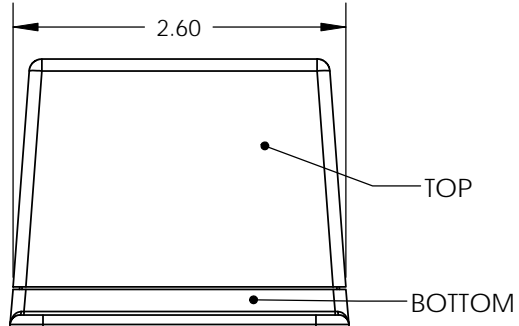
ALL DIMENSIONS ARE ± .010" 5/20/09 (1 of 2)
619 Commercial Ave. Covina, CA 91723
 Ph. (626) 331-0517 Fx. (626) 331-8584 [serpac.com](http://www.serpac.com)

SERPAC WM023 (user print)

Electronic Enclosures



$\phi .14$ 6 plc's for #4 screws



- Notes:
- 1) Enclosure meets or exceeds IP40 and NEMA 1
 - 2) When used with PS-12 the enclosure meets or exceeds IP 67 and NEMA 4X, 12 and 13 MIL-STD-810G 506.5
 - 3) Circuit Board drawings can be download at: http://www.serpac.com/Products/Accessories/CircuitBoard/drawings/CB_WM023.pdf
 - 4) All components are RoHS Compliant.

PART NO.	DESCRIPTION (Included)	ACCESSORIES (Optional)
2-3	TOP	PART NO. DESCRIPTION
WM02	BOTTOM	PS-12 Perimeter Seal
6005	#4 self tapping screw (2)	