

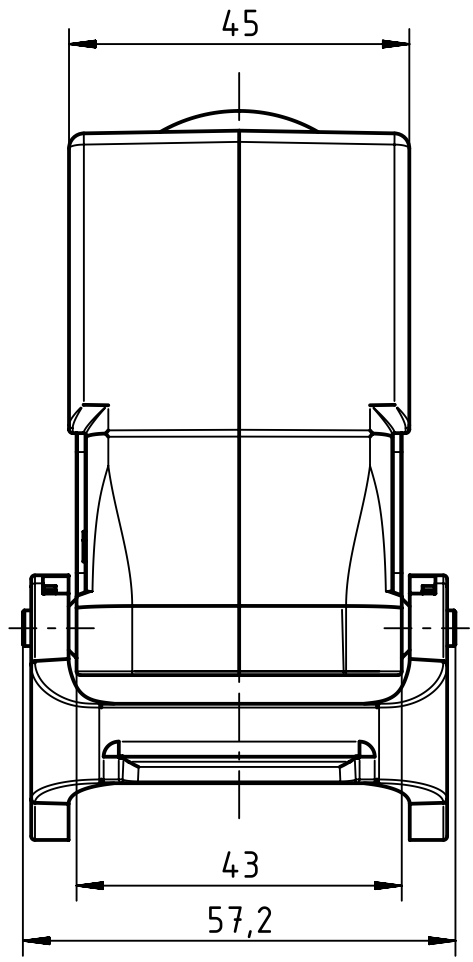
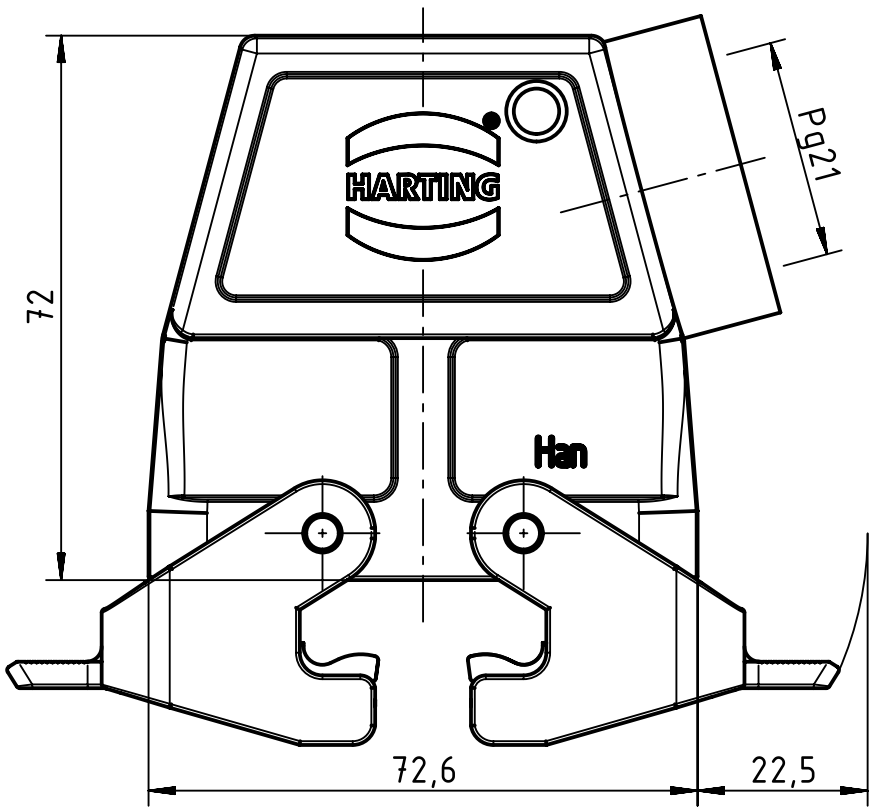
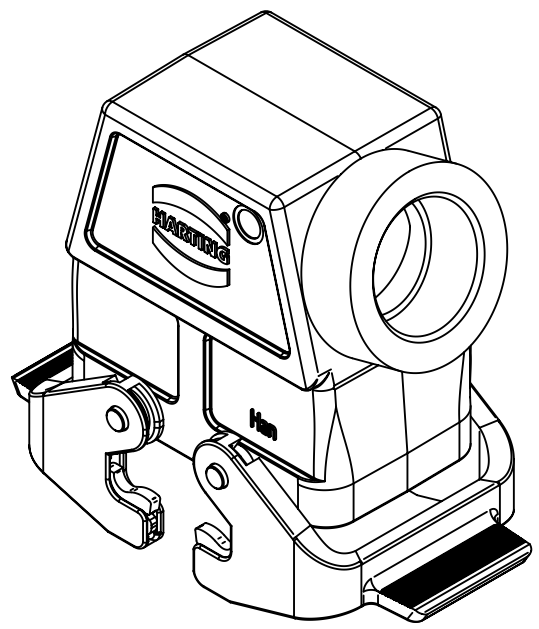
1 2 3 4 5 6

A

B

C

D



	All rights reserved Department EL PD - DE	All Dimensions in mm Original Size DIN A4			Scale 1:1	Free size tol.	Ref. Sub. TB 09 30 010 0532 v. 17.11.00	
		HARTING Electric GmbH & Co. KG D-32339 Espelkamp	Created by SCHULZI	Inspected by BERGHORN	Standardisation TIEMANNA	Date 2014-07-21	State Final Release	Doc-Key / ECM-Nr. 1002314.79/UGD/002/B 500000061817
		Title Han B Hood Side Entry HC 2 Levers PG 21					Rev. B	Page 1/1
		Type TB	Number 09 30 010 0532					