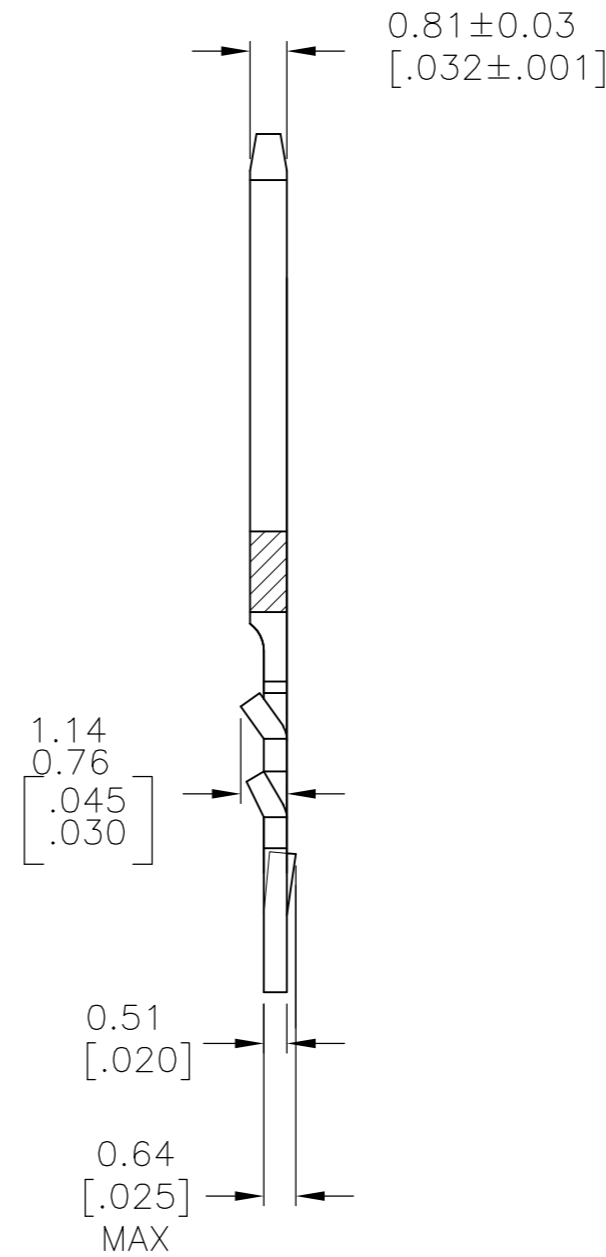
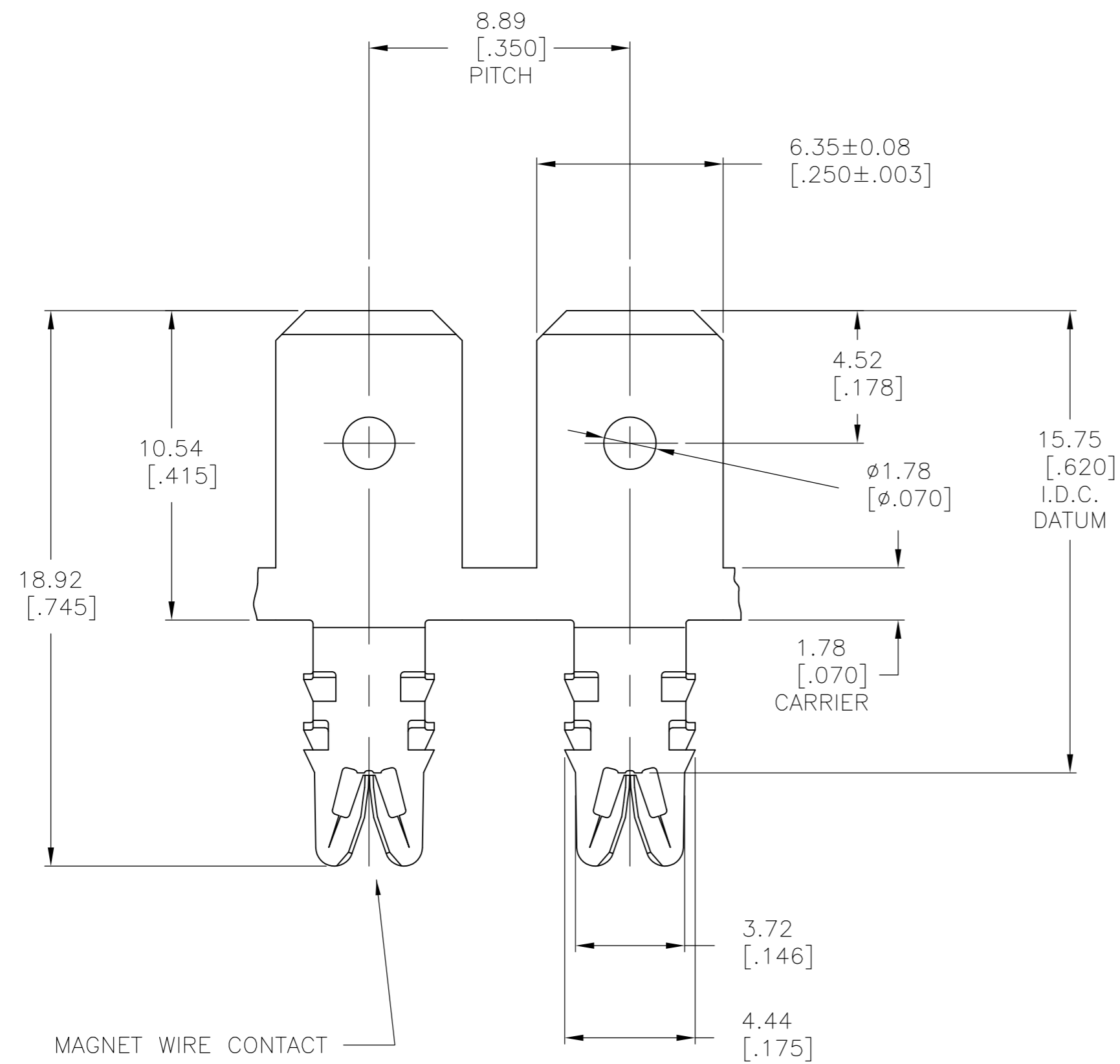
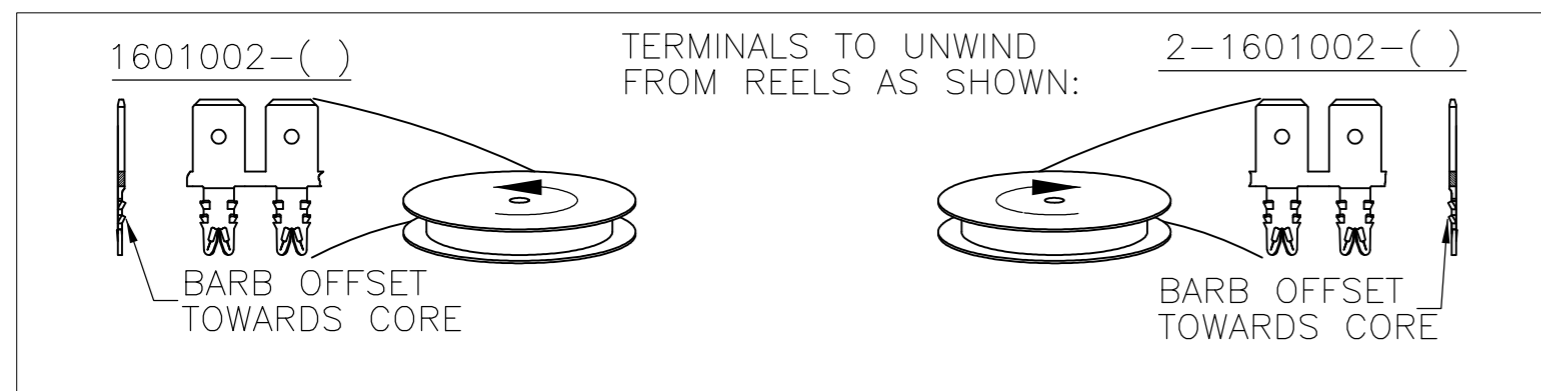
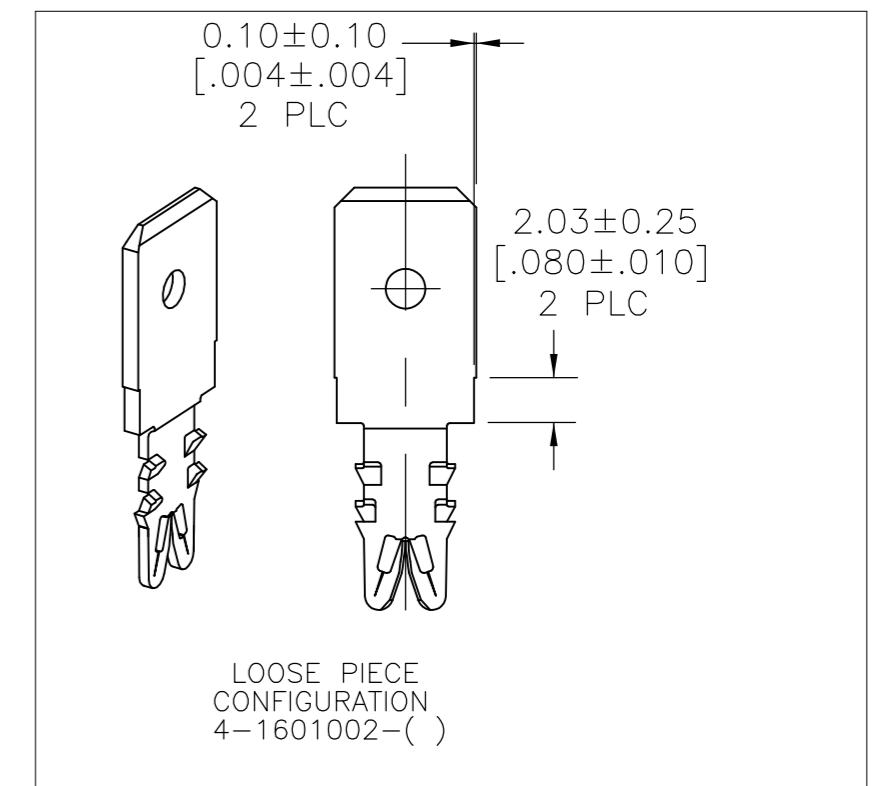


THIS DRAWING IS UNPUBLISHED. RELEASED FOR PUBLICATION
 © COPYRIGHT BY TYCO ELECTRONICS CORPORATION. ALL RIGHTS RESERVED.

LOC		DIST		REVISIONS			
P	LTR	DESCRIPTION	DATE	DWN	APVD		
AF	50	D2	REVISED PER ECR-08-000810	22JAN08	HMR	GJ	



- SPECIFICATIONS:
MAGNET WIRE #18 - #34 AWG COPPER, 1.02mm (.040") - 0.16mm (.006") DIA. OTHER SIZES MAY BE ACCOMMODATED, CONSULT TYCO ELECTRONICS FOR APPROVAL.
- POCKET RECOMMENDATION: 1601425. ALTERNATE POCKET: 1601421.
- TERMINAL APPLICATION TO COMPLY WITH TYCO ELECTRONICS SPECIFICATION 114-13166 FIGURE 6.



-	-	-
-	-	-
-	-	-
PRE TIN PLATE	031-004-002	4-1601002-2
PRE TIN PLATE	131-004-002	2-1601002-2
PRE TIN PLATE	131-055-002	1601002-2
FINISH	REFERENCE PART NUMBER	PART NUMBER
THIS DRAWING IS A CONTROLLED DOCUMENT.		DWN 11JAN2002 J.WELLER
DIMENSIONS: mm [INCHES]		CHK 11JAN2002 M.FEHER
TOLERANCES UNLESS OTHERWISE SPECIFIED:		APVD 11JAN2002 K.RANDOLPH
0 PLC ± -	1 PLC ± 0.25 [.01]	PRODUCT SPEC 108-2085
2 PLC ± 0.13 [.005]	3 PLC ± -	APPLICATION SPEC
4 PLC ± -	ANGLES ± 2°	3
MATERIAL BRASS, 1/2 HARD	FINISH SEE TABLE	WEIGHT -
CUSTOMER DRAWING		SCALE 6:1
Tyco Electronics Corporation Harrisburg, PA 17105-3608		NAME
STD. RANGE WIRE TO .250 X .032 MULTI-BARB TAB SIAMEZE TERMINAL		SIZE A2
CAGE CODE 00779		DRAWING NO C=1601002
RESTRICTED TO		SHEET 1 OF 1
REV D2		